



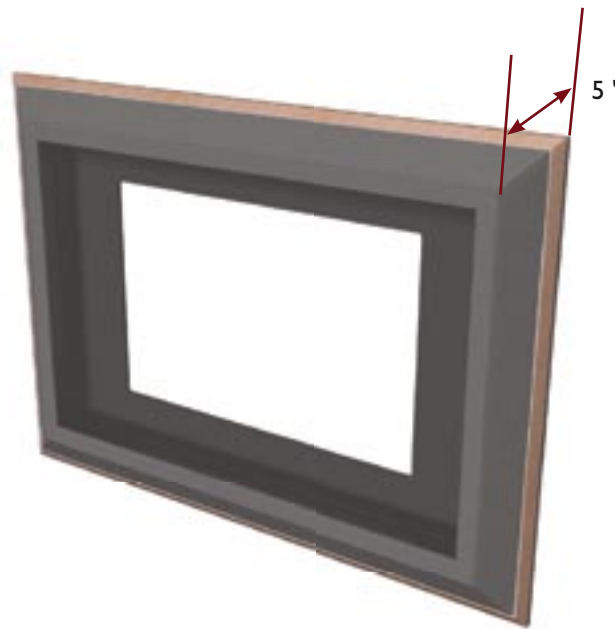
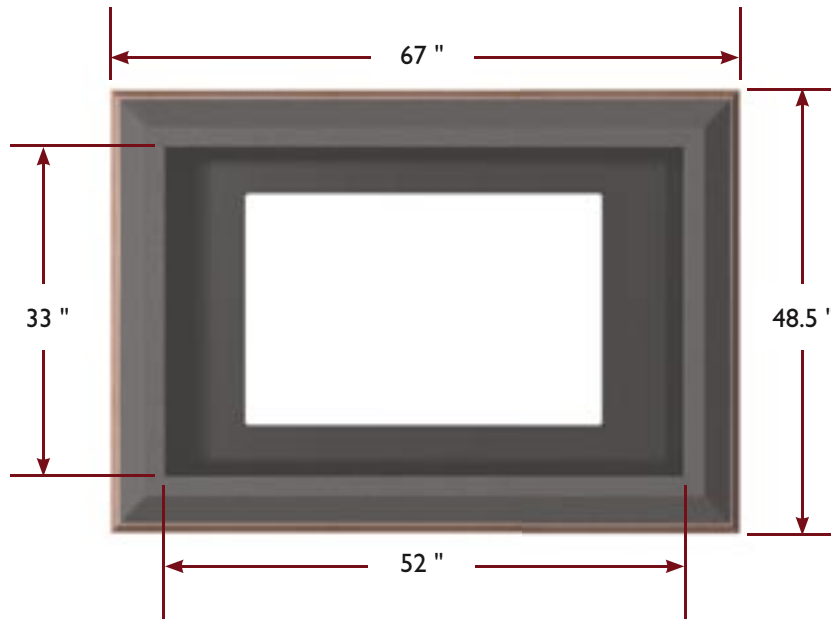
M • D E S I G N™

SPECIFICATION SHEET

**Eleganza™ Plasma Frame 6000  
Dimensions and Weights**

**NOTE:**

The Frame is big enough for installing a 50" Plasma TV



	Weight	L	W	H
<b>Frame</b>	122 lbs	49"	67"	5"
<b>In Carton</b>	164 lbs	53"	72"	8"

M•Design  
7251 West Lake Mead Blvd, Suite 342  
Las Vegas, Nevada 89128 • USA  
Call us toll free at: 866-563-6388  
E-mail: customerservice@MDesignLife.com  
**MDesignLife.com**

© 2005 Monster, LLC  
Actual product may vary from images shown.  
Specifications subject to change without notice.  
M•Design products are designed in the U.S.A.  
and manufactured to M•Design  
specifications and quality in China.