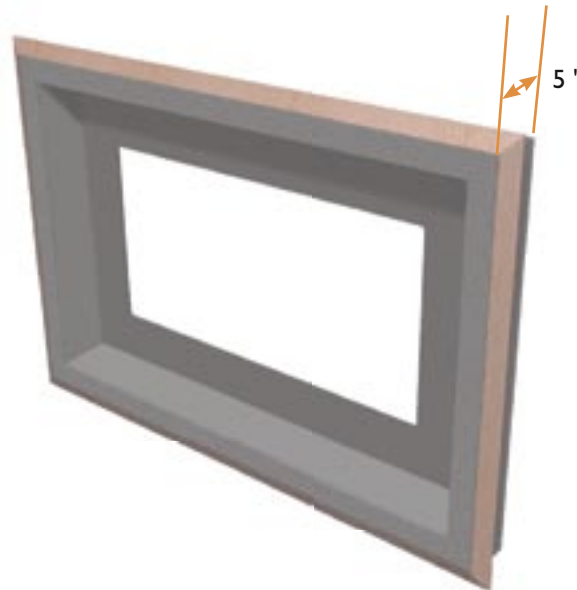
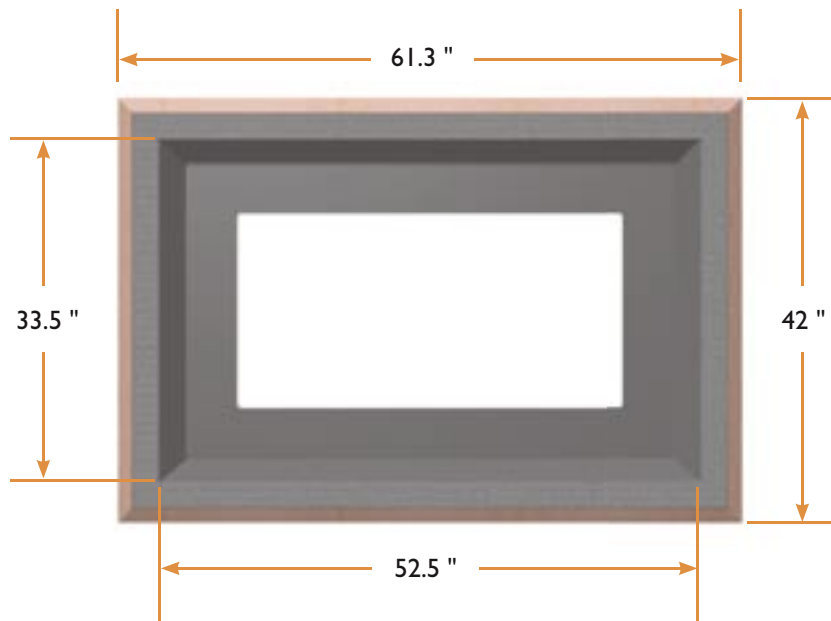


**Eleganza™ Plasma Frame 3000**  
**Dimensions and Weights**

**NOTE:**

The Frame is big enough for installing a 50" Plasma TV



	Weight	L	W	H
<b>Frame</b>	84 lbs	42"	61.3"	5"
<b>In Carton</b>	94 lbs	47"	67"	8"

M•Design  
 7251 West Lake Mead Blvd, Suite 342  
 Las Vegas, Nevada 89128 • USA  
 Call us toll free at: 866-563-6388  
 E-mail: customerservice@MDesignLife.com  
**MDesignLife.com**

© 2005 Monster, LLC  
 Actual product may vary from images shown.  
 Specifications subject to change without notice.  
 M•Design products are designed in the U.S.A.  
 and manufactured to M•Design  
 specifications and quality in China.